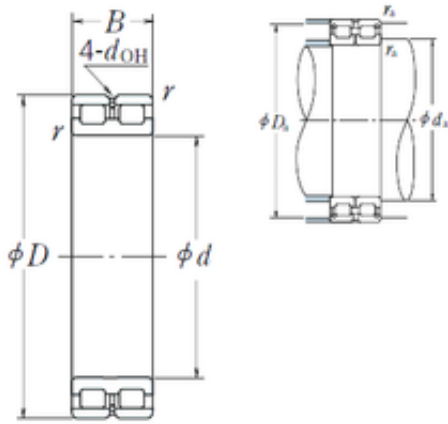




AMERICAN NTN BEARING MFG.CORP.



420 mm x 520 mm x 100 mm NSK RSF-4884E4 FULL-COMPLEMENT CYLINDRICAL ROLLER BEARINGS

Bearing No. RSF-4884E4

RSF-4884E4 Bearing 2D drawings and 3D CAD models

Size	420x520x100 mm
Bore Diameter	420 mm
Outer Diameter	520 mm
Width	100 mm
d	420 mm
D	520 mm
B	100 mm
C	100 mm
r min.	2,1 mm
da min.	431 mm
Da max.	509 mm
ra max.	2 mm
Weight	49,5 Kg
Basic dynamic load rating (C)	1320 kN
Basic static load rating (C0)	3950 kN
(Grease) Lubrication Speed	220 r/min
hidYobi	RSF-4884E4
LangID	1
D_	520
B_	100
hidTable	ecat_NSCLDRS
Oil rpm	220
mass	49.5
GRS rpm	450



AMERICAN NTN BEARING MFG.CORP.

ra	2
da_min	431
C0	3950
DE_	492
Prod_Type3	CRB_FRFS_OT_FREE
DA_	22
Z_	67
yobi	RSF-4884E4
da_max	509
SDM_	470
r	2.1
KBRG	4220
disp	6
DI_	448
doh	8