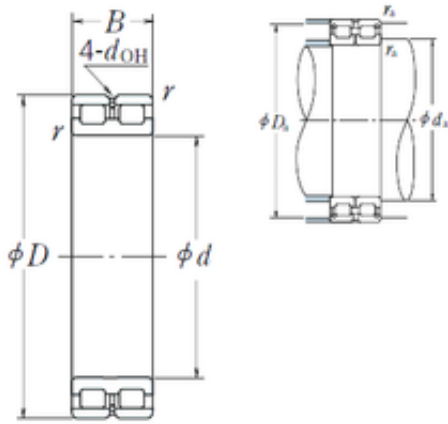




# AMERICAN NTN BEARING MFG.CORP.



## 140 mm x 175 mm x 35 mm NSK RSF-4828E4 FULL-COMPLEMENT CYLINDRICAL ROLLER BEARINGS

Bearing No. RSF-4828E4

RSF-4828E4 Bearing 2D drawings and 3D CAD models

Size	140x175x35 mm
Bore Diameter	140 mm
Outer Diameter	175 mm
Width	35 mm
d	140 mm
D	175 mm
B	35 mm
C	35 mm
r min.	1,1 mm
da min.	146,5 mm
Da max.	168,5 mm
ra max.	1 mm
Weight	2,03 Kg
Basic dynamic load rating (C)	167 kN
Basic static load rating (C0)	415 kN
(Grease) Lubrication Speed	750 r/min
hidYobi	RSF-4828E4
LangID	1
D_	175
B_	35
hidTable	ecat_NSCLDRS
Oil rpm	750
mass	2.03
GRS rpm	1500



## AMERICAN NTN BEARING MFG.CORP.

ra	1
da_min	146.5
C0	415
DE_	165.6
Prod_Type3	CRB_FRFS_OT_FREE
DA_	7.5
Z_	66
yobi	RSF-4828E4
da_max	168.5
SDM_	158.1
r	1.1
KBRG	4220
disp	2
DI_	150.6
doh	3