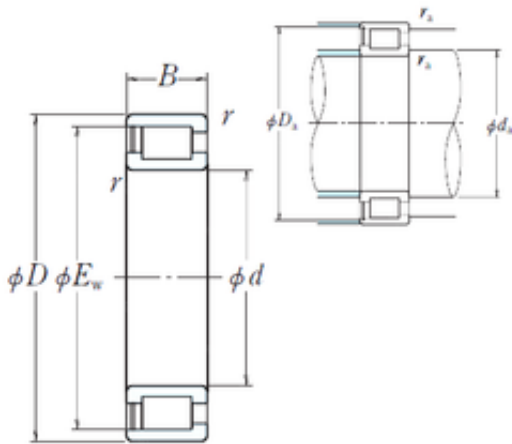




# AMERICAN NTN BEARING MFG.CORP.



## 360 mm x 480 mm x 72 mm NSK NCF2972V FULL-COMPLEMENT CYLINDRICAL ROLLER BEARINGS

Bearing No. NCF2972V

Size	360x450.7x72 mm
Bore Diameter	360 mm
Outer Diameter	450,7 mm
Width	72 mm
d	360 mm
D	480 mm
Ew	450,7 mm
B	72 mm
C	72 mm
r min.	3 mm
Da	457 mm
ra max.	2,5 mm
da	381 mm
Weight	36 Kg
Basic dynamic load rating (C)	1220 kN
Category	Bearings
Inventory	0.0
Manufacturer Name	NSK
Minimum Buy Quantity	N/A
Weight / Kilogram	36
Product Group	B04144

NCF2972V Bearing 2D drawings and 3D CAD models