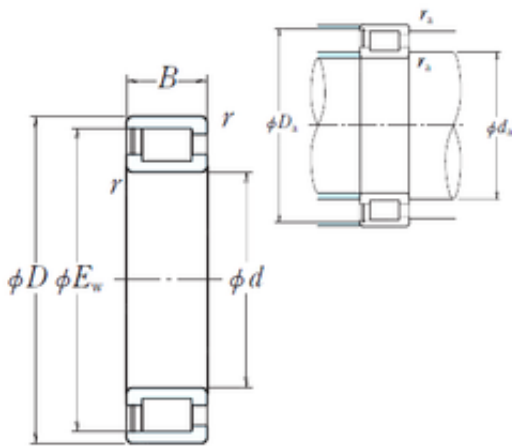




AMERICAN NTN BEARING MFG.CORP.



420 mm x 560 mm x 82 mm NSK NCF2984V FULL-COMPLEMENT CYLINDRICAL ROLLER BEARINGS

Bearing No. NCF2984V

Size	420x523.2x82 mm
Bore Diameter	420 mm
Outer Diameter	523,2 mm
Width	82 mm
d	420 mm
D	560 mm
Ew	523,2 mm
B	82 mm
C	82 mm
r min.	4 mm
Da	533 mm
ra max.	3 mm
da	445 mm
Weight	55,7 Kg
Basic dynamic load rating (C)	1680 kN

NCF2984V Bearing 2D drawings and 3D CAD models