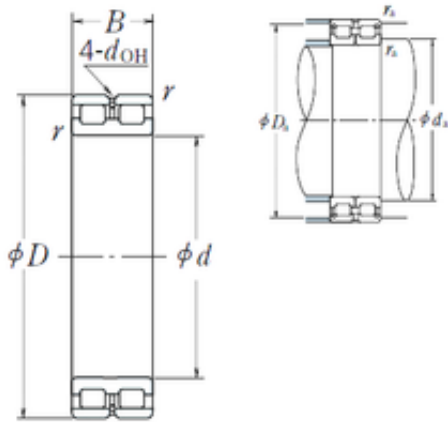




# AMERICAN NTN BEARING MFG.CORP.



## 150 mm x 190 mm x 40 mm NSK RSF-4830E4 FULL-COMPLEMENT CYLINDRICAL ROLLER BEARINGS

Bearing No. RSF-4830E4

RSF-4830E4 Bearing 2D drawings and 3D CAD models

Size	150x190x40 mm
Bore Diameter	150 mm
Outer Diameter	190 mm
Width	40 mm
d	150 mm
D	190 mm
B	40 mm
C	40 mm
r min.	1,1 mm
da min.	156,5 mm
Da max.	183,5 mm
ra max.	1 mm
Weight	2,85 Kg
Basic dynamic load rating (C)	235 kN
Basic static load rating (C0)	575 kN
(Grease) Lubrication Speed	670 r/min
hidYobi	RSF-4830E4
LangID	1
D_	190
B_	40
hidTable	ecat_NSCLDRS
Oil rpm	670
mass	2.85
GRS rpm	1400



## AMERICAN NTN BEARING MFG.CORP.

ra	1
da_min	156.5
C0	575
DE_	178.6
Prod_Type3	CRB_FRFS_OT_FREE
DA_	9
Z_	59
yobi	RSF-4830E4
da_max	183.5
SDM_	169.6
r	1.1
KBRG	4210
disp	2
DI_	160.6
doh	3