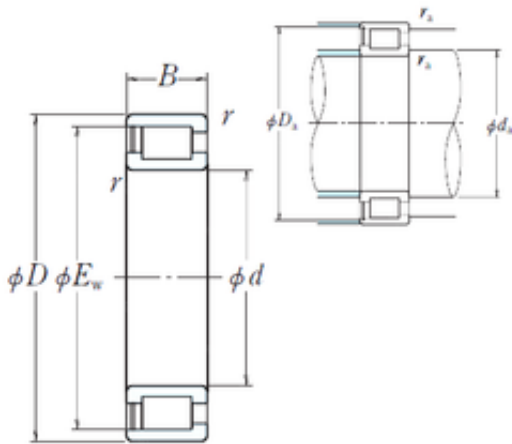




AMERICAN NTN BEARING MFG.CORP.



280 mm x 420 mm x 106 mm NSK NCF3056V FULL-COMPLEMENT CYLINDRICAL ROLLER BEARINGS

Bearing No. NCF3056V

NCF3056V Bearing 2D drawings and 3D CAD models

Size	280x390.5x106 mm
Bore Diameter	280 mm
Outer Diameter	390,5 mm
Width	106 mm
d	280 mm
D	420 mm
Ew	390,5 mm
B	106 mm
C	106 mm
r min.	4 mm
Da	395 mm
ra max.	3 mm
da	302 mm
Weight	49 Kg
Basic dynamic load rating (C)	1610 kN
Category	Bearings
Inventory	0.0
Manufacturer Name	NSK
Minimum Buy Quantity	N/A
Weight / Kilogram	48.955
Product Group	B04144